

AcerAltos City2000 UPS User Manual

Line-interactive UPS

IMPORTANT SAFETY INSTRUCTIONS

(SAVE THESE INSTRUCTIONS)

This manual contains important safety instructions. Please read and follow all instructions carefully during installation and operation of the unit. Read this manual thoroughly before attempting to unpack, install, or operate your UPS.

CAUTION! To prevent the risk of fire or electric shock, install in a temperature and humidity controlled indoor area free of conductive contaminants. (See the specifications for the acceptable temperature and humidity range.)

CAUTION! To reduce the risk of overheating the UPS, do not cover the UPS' cooling vents and avoid exposing the unit to direct sunlight or installing the unit near heat emitting appliances such as space heaters or furnaces.

CAUTION! Do not attach non-computer-related items, such as medical equipment, life-support equipment, microwave ovens, or vacuum cleaners to UPS.

CAUTION! Do not plug the UPS input into its own output.

CAUTION! Do not allow liquids or any foreign object to enter the UPS. Do not place beverages or any other liquid-containing vessels on or near the unit.

CAUTION! In the event of an emergency, press the OFF button and disconnect the power cord from the AC power supply to properly disable the UPS.

CAUTION! Do not attach a power strip or surge suppressor to the UPS.

CAUTION! Unplug the UPS prior to cleaning and do not use liquid or spray detergent.

CAUTION! Servicing of batteries should be performed or supervised by personnel knowledgeable of batteries and the required precautions. Keep unauthorized personnel away from batteries.

CAUTION! The battery supply should be therefore disconnected in the plus and minus pole at the quick connectors of the battery when maintenance or service work inside the UPS is necessary.

CAUTION! Internal battery voltage is 12Vdc. Sealed, lead-acid, 6-cell battery.

CAUTION! When replacing the batteries, use the same number and type of batteries.

CAUTION! Do not dispose of batteries in a fire. The battery may explode. Do not open or mutilate the battery or batteries. Released electrolyte is harmful to the skin and eyes.

INSTALLING YOUR UPS SYSTEM

UNPACKING

The box should contain the following:

(1) UPS Unit x1; (2) USB Cable x 1 (Except City650); (3) User Manual *1; (4) Warranty Card *1

OVERVIEW

The UPS provides automatic voltage regulation for inconsistent utility power, and provides battery backup during power outages, and ensures consistent power to your computer system.

HARDWARE INSTALLATION GUIDE

1. Your new UPS may be used immediately upon receipt. However, recharging the battery for at least 8 hours is recommended to ensure that the battery's maximum charge capacity is achieved. Charge loss may occur during shipping and storage. To recharge the battery, simply leave the unit plugged into an AC outlet. The unit will charge in both the on and off position.
2. With the UPS unit off and unplugged, connect the computer, monitor, and any externally powered data storage device (Zip drive, Jazz drive, Tape drive), etc. into the battery power supplied outlets. DO NOT plug a laser printer, copier, space heater, vacuum, paper shredder or other large electrical device into the battery power supplied outlets. The power demands of these devices will overload and possibly damage the unit.
3. Plug the UPS into a 2 pole, 3 wire grounded receptacle (wall outlet). Make sure the wall branch outlet is protected by a fuse or circuit breaker and does not service equipment with large electrical demands (e.g. air conditioner, refrigerator, copier, etc. Avoid using extension cords.
4. Press the power switch to turn the unit on. The power on indicator light will illuminate and the unit will "beep".
5. If an overload is detected, an audible alarm will sound and the unit will emit one long beep. To correct this, turn the UPS off and unplug at least one piece of equipment from the battery power supplied outlets. Wait 10 seconds. Make sure the circuit breaker / fuse is normal and then turns the UPS on.
6. To maintain optimal battery charge, leave the UPS plugged into an AC outlet at all times.
7. To store your UPS for an extended period, cover it and store with the battery fully charged. Recharge the battery every three months to ensure battery life.

BASIC OPERATION

Front panel

1. Power Switch

Press the switch for 2 seconds to turn the UPS ON or OFF.

Mute setting: The audible alarm can be turned OFF or ON by quickly pressing the power button twice. The default setting is for the Alarm On.

2. Line Mode LED

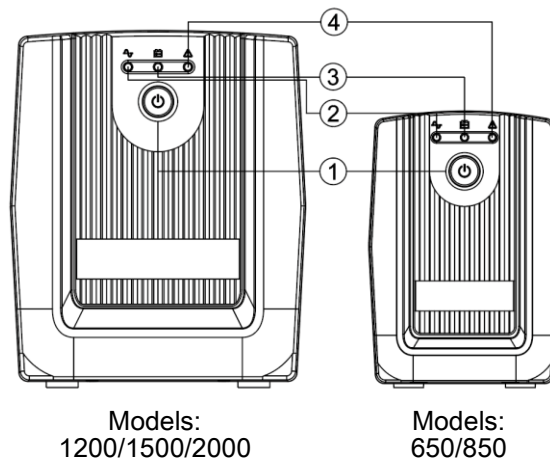
The green LED will light when utility power is normal.

3. Battery Mode LED

The yellow LED will light when input power is abnormal and the unit will work in battery mode.

4. Fault LED

The red LED will light when fault or over load occurs.



Rear panel

1. USB COMM. Port

This port allows connection and communication from the USB port on the computer to the UPS unit.

2. RJ45/11 Communication Protection Ports

Communication protection ports will protect any standard modem, fax, telephone line, or network cable

3. Input Circuit Breaker

The circuit breaker provides optimal overload protection.

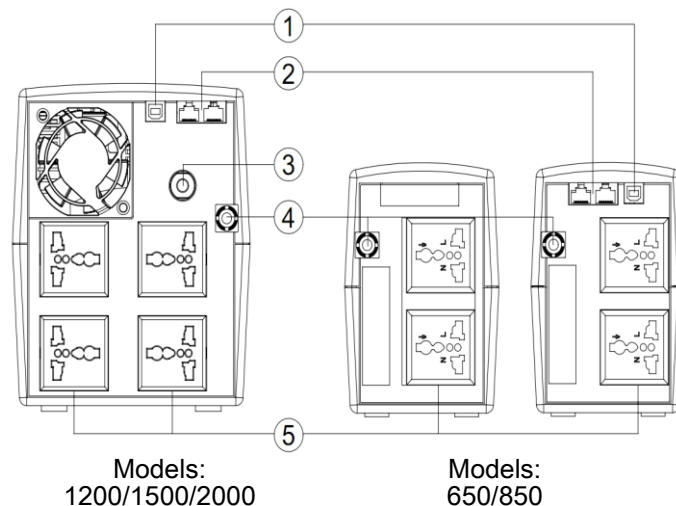
4. Input power cord

Connect to utility power.

5. Battery Backup & Surge Protected Outlets

Provide battery backup and surge protection.

They ensure power is provided to connected equipment over a period of time during a power failure.



TECHNICAL SPECIFICATIONS

Model	City650	City850	City1200	City1500	City2000
Capacity(VA/W)	650/360	850/480	1200/720	1500/900	2000/1200
Input					
Voltage Range	140~300Vac				
Nominal Frequency	50/60Hz				
Output					
On Battery Output Voltage	Simulated Sine Wave at 230Vac +/-10%				
On Battery Output Frequency	50/60Hz +/-1%				
Overload Protection	Breaker / Fuse				
Physical					
Dimensions (W x H x D)(mm)	96 x 138 x 286		148 X 178 X 298		
Battery					
Sealed Maintenance Free Lead Acid Battery	12V x1		12V x2		
Typical Recharge Time	8 Hours				
Management					
Auto-Charger	Yes				
Auto-Restart	Yes				
USB PORT	NA		Yes		
Warning Diagnostics					

Indicators	Line Mode, Battery Mode, Fault
Audible Alarms	On Battery, Low Battery, Overload, Fault
Communication	
Power Master Software	Windows10/ Windows8/ Windows7/ Windows Server2012 R2/ Windows Server2008 R2, Linux & Mac
Environmental	
Operating Temperature	0°C to 40°C
Operating Relative Humidity	0 to 90%

DEFINITIONS FOR LED & ALARM

UPS Status	LED Status	Alarm
UPS is Normal	Green LED is always On	No Beep sound
Battery Mode (No AC)	Yellow LED is blinking every 30 seconds	Beep sound every 30 seconds
Low Battery	Yellow LED is blinking every 2 seconds	Beep sound every 2 seconds
Overload	Red LED is blinking every 0.5 seconds	Beep sound every 0.5 seconds
UPS is shut down	All LEDs are Off	No Beep sound
UPS is malfunction	Red LED is always On	Constant Long Beep Sound

TROUBLE SHOOTING

Problem	Possible Cause	Solution
The UPS does not perform expected runtime.	Batteries are not fully charged.	Recharge the battery by leaving the UPS plugged in.
	Battery is slightly worn out.	Contact Technical Support.
The UPS will not turn on.	The on/off switch is designed to prevent damage by rapidly turning it off and on.	Turn the UPS off. Wait 10 seconds and then turn the UPS on.
	The unit is not connected to an AC outlet.	The unit must be connected to a 230Vac 50/60Hz outlet.
	The battery is worn out.	Contact Technical Support.
	Mechanical problem.	Contact Technical Support.
Outlets do not provide power to equipment	Circuit breaker is tripped due to overload	Turn the UPS off and unplug at least one piece connected equipment. Unplug the power cord of the UPS then press the circuit breaker knob.
	Batteries are discharged	Allow the unit to recharge for at least 4 hours.
	Unit has been damaged by a surge or spike.	Contact Technical Support.

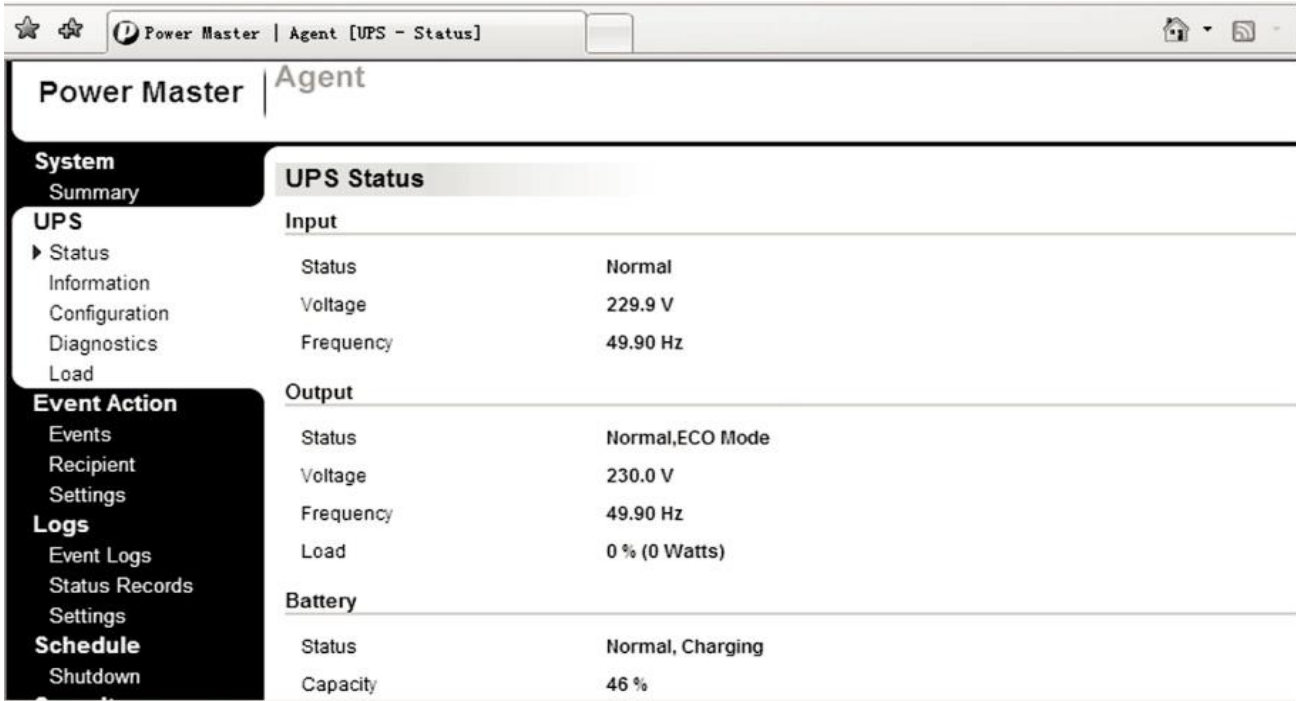
SOFTWARE DOWNLOAD

Power Master Management software provides a user-friendly interface for your power systems. The graphic user interface is intuitive and displays essential power information at a glance. Please follow procedure below to install the software.

Installation procedure:

1. Download Power Master from the website: <http://www.powermonitor.software/#PowerMasterSoftware>
2. Double-click the file and follow the installation steps.

When your computer restarts, the Power Master software will appear as a blue icon located in the system tray.



UPS Status	
Input	
Status	Normal
Voltage	229.9 V
Frequency	49.90 Hz
Output	
Status	Normal, ECO Mode
Voltage	230.0 V
Frequency	49.90 Hz
Load	0 % (0 Watts)
Battery	
Status	Normal, Charging
Capacity	46 %

In a continuing effort to improve the quality of our products, information in this document is subject to change without notice. Please refer Altos support website (www.altoscomputing.com) for latest information.

Responsible Party: Altos Computing Incorporated

Address: 6F, No.88, Section 1, Xintai 5th Road, New Taipei City 221, Taiwan (R.O.C.)

© 2020. All rights reserved.

Altos, AcerAltos and the Altos logo are registered trademarks of Altos Computing, Inc.

Other trademarks, registered trademarks and/or service marks, indicated or otherwise the properties of their respective owners.

About Altos

Altos Computing Inc. (abbr. Altos) is established in 2017 and it is a subsidiary of Acer Inc. The business model of Altos is to provide the best streamlined and cost-effective integrated solutions thru in-house R&D working with ODM/IHV/ISV on servers, workstations, thin client, network, storage and UPS. In the era of demanding speed, Altos provides leading solution included, but not limited to High Performance Computing, Virtual Desktop Infrastructure, Cloud Infrastructure and Software Defined Storage, etc.

Altos provides solutions and services to government, academia, cloud service providers, datacenter operators and enterprises.

